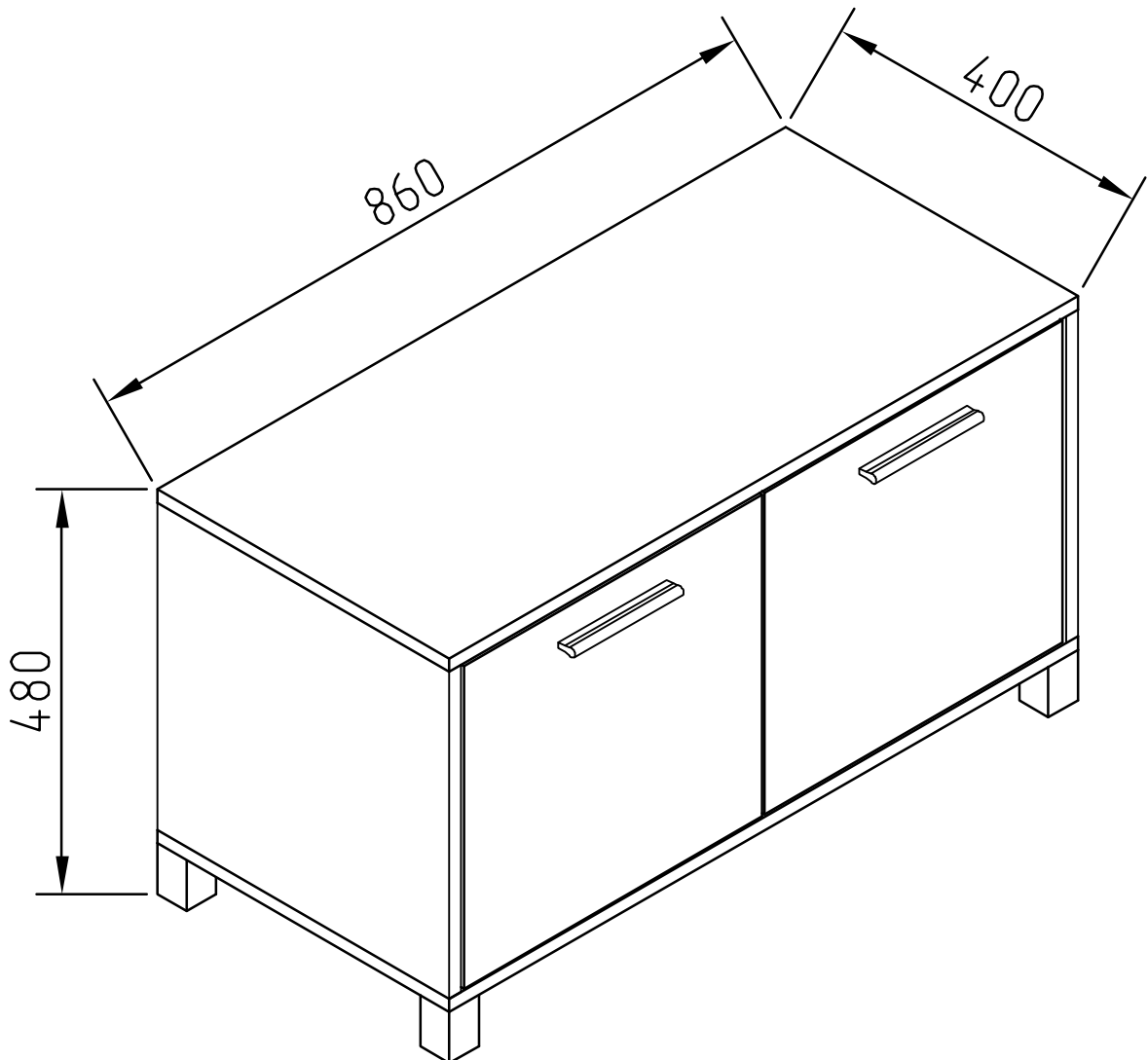
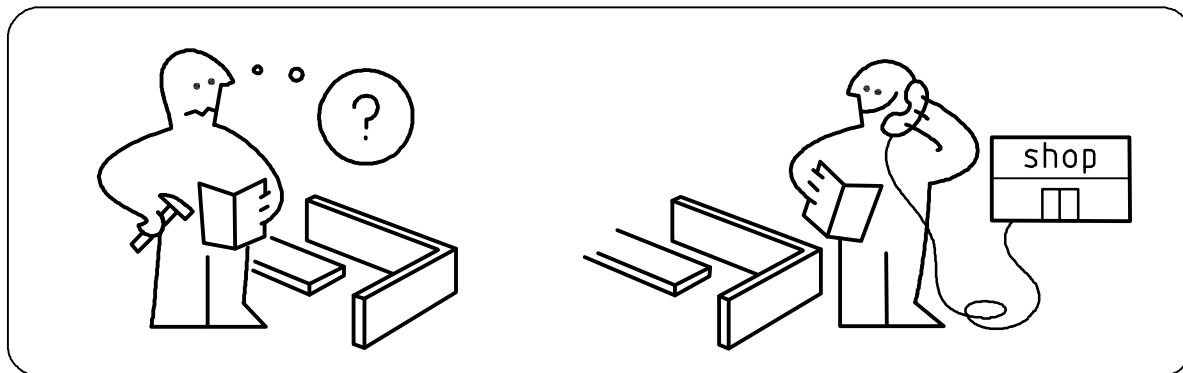
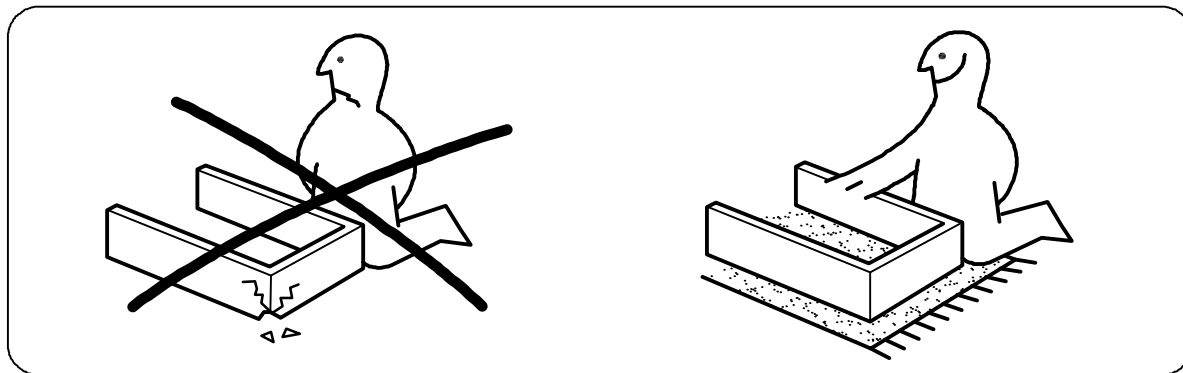
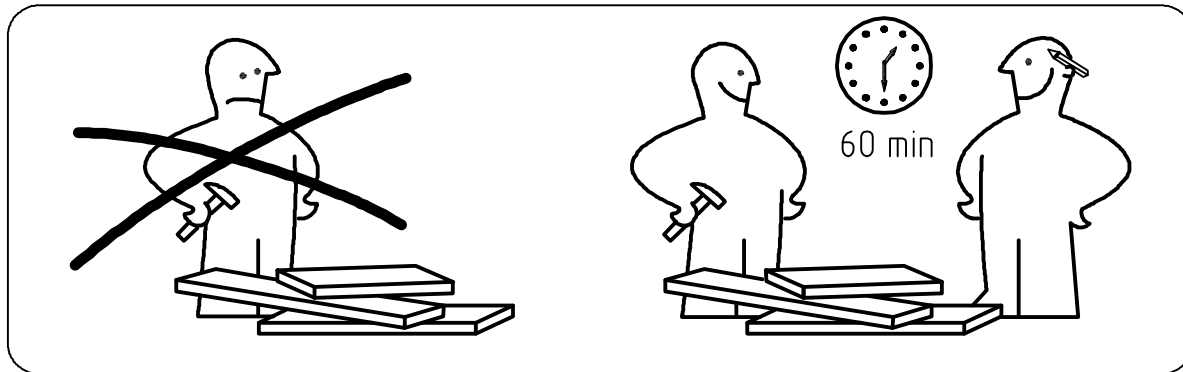
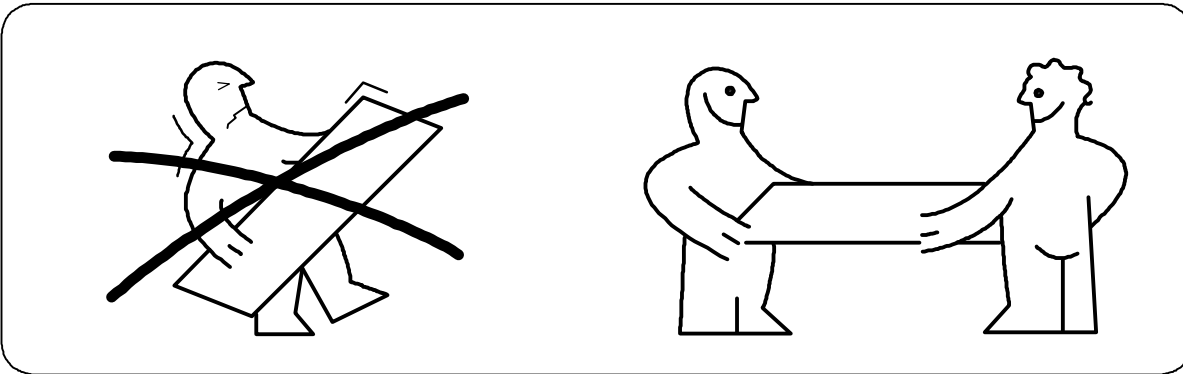
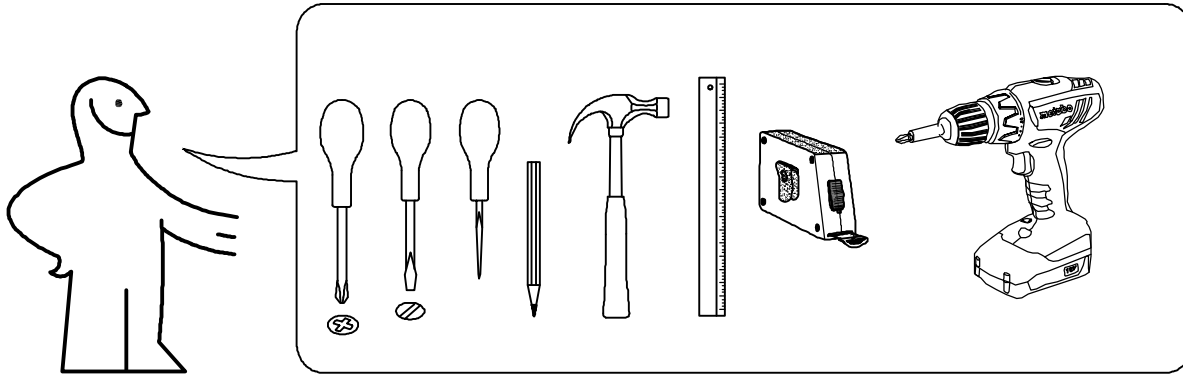


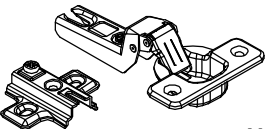


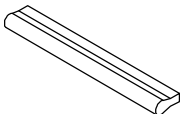

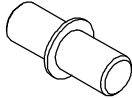
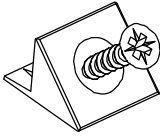
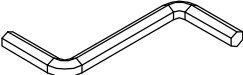
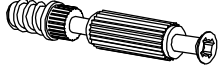

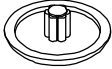
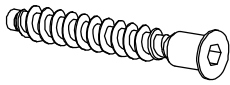

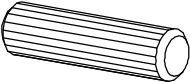

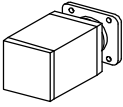
# Scarlet

---

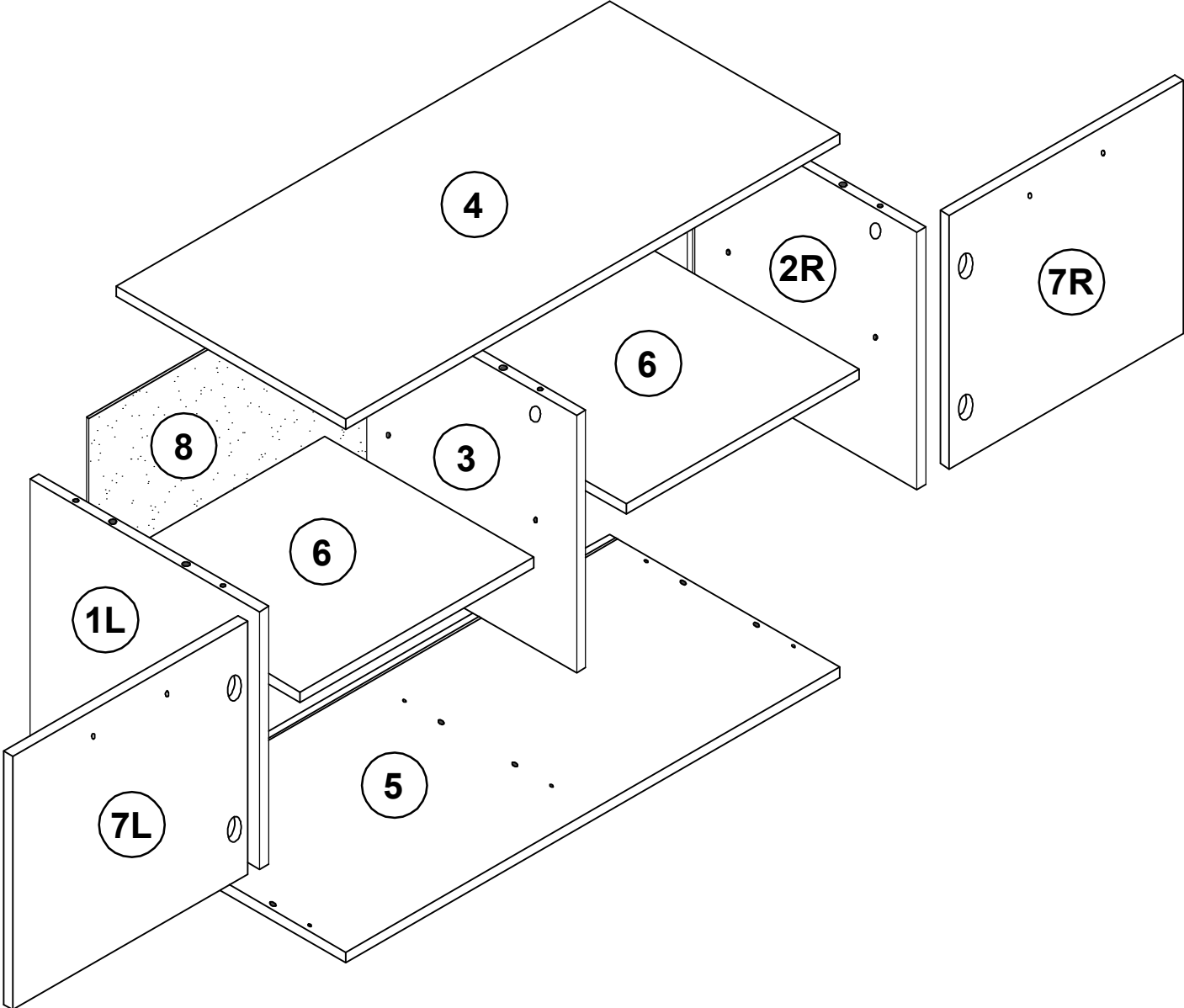
## CABINET 2D



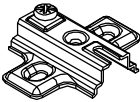
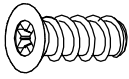
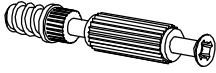




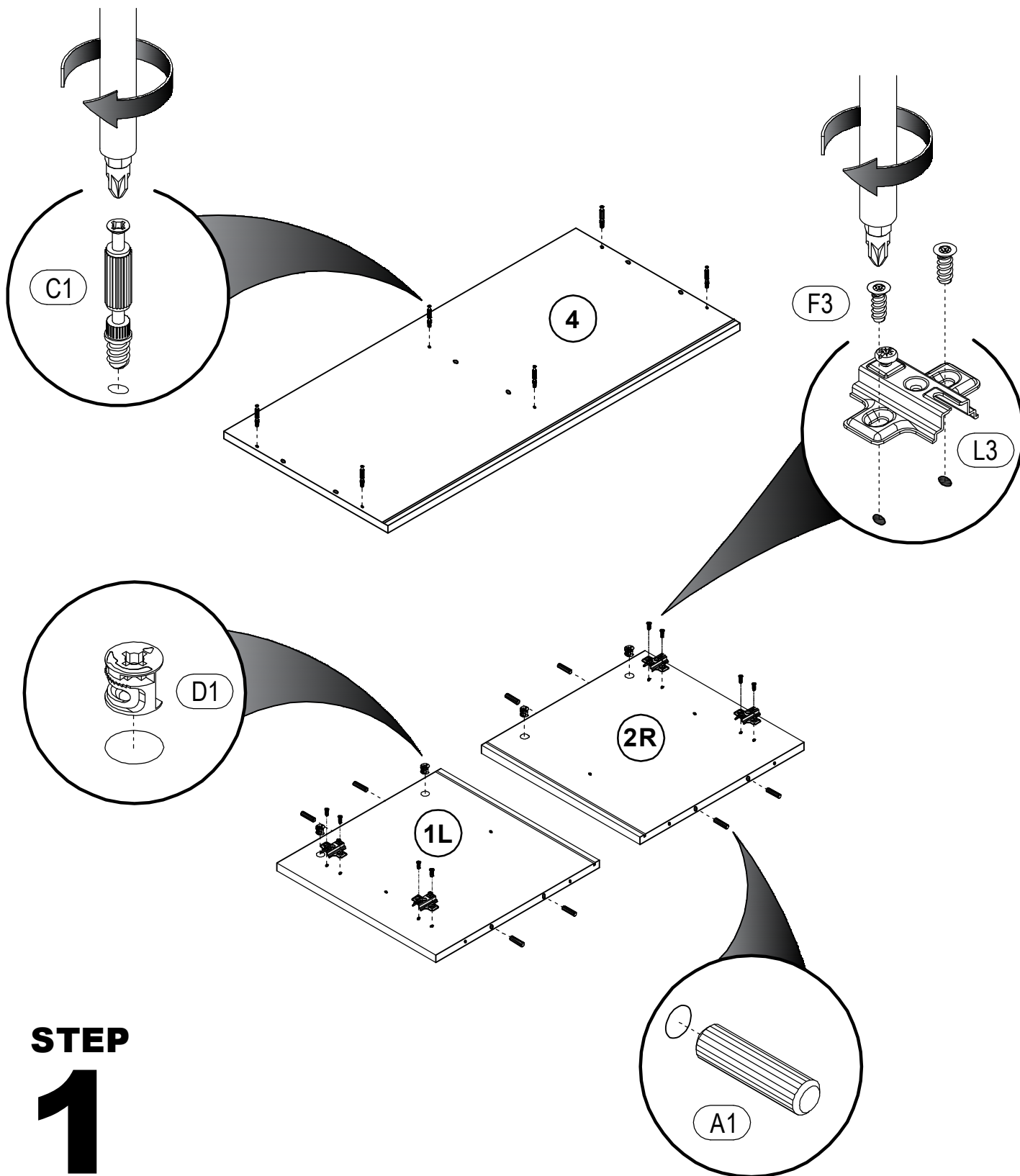
 L3 x4	 F3 6,3*13 x8	 E5 3,5x16 x24
 I2 x2	 E-1 4*25mm x4	 J1 5*16 mm x8
 H2 x8	 R4 №4 x1	 C1 6x43mm x6
 D1 15/16 x6	 D Ø20mm x6	 B1 x6
 B Ø12mm x6	 A1 8*30mm x12	 U3 x2
 K10 x4		

No	a*b	x	No	a*b	x
1	388x400	1	5	860x400	1
2	388x400	1	6	405x363	2
3	388x368	1	7	408x382	2
4	860x400	1	8	835x397	1

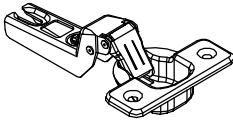
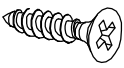




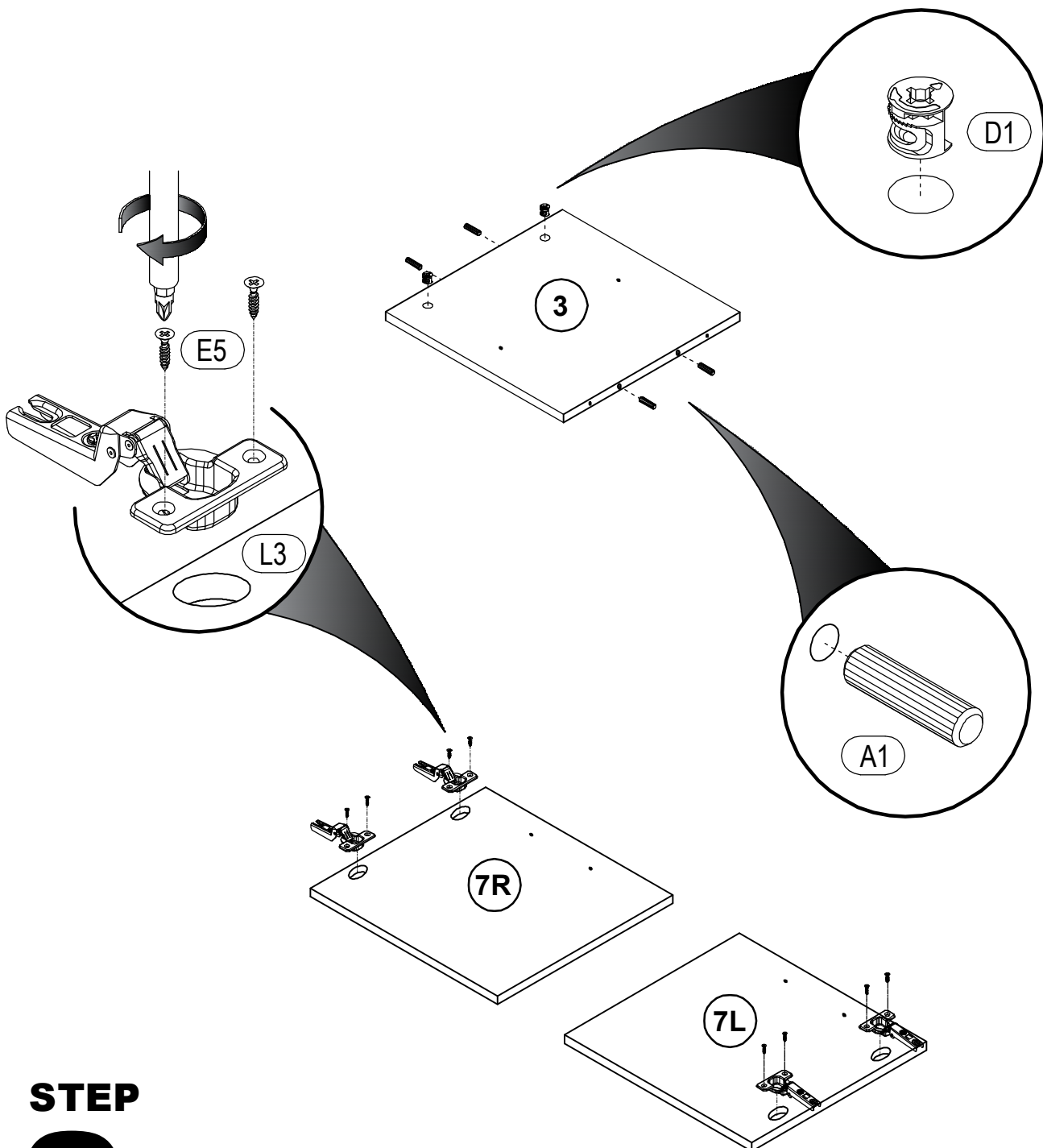


 <p>L3 x4</p>	 <p>F3 6,3*13 x8</p>	 <p>C1 6x43mm x6</p>
 <p>D1 15/16 x4</p>	 <p>A1 8*30mm x8</p>	

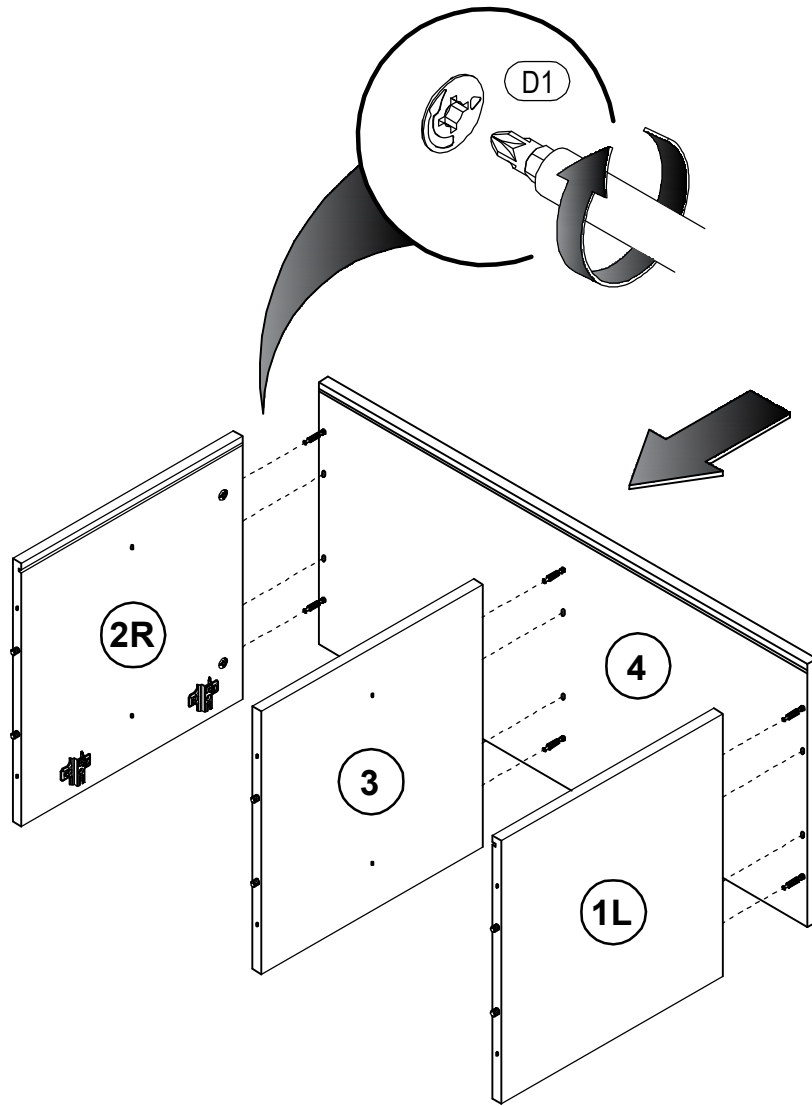


**STEP**  
**1**

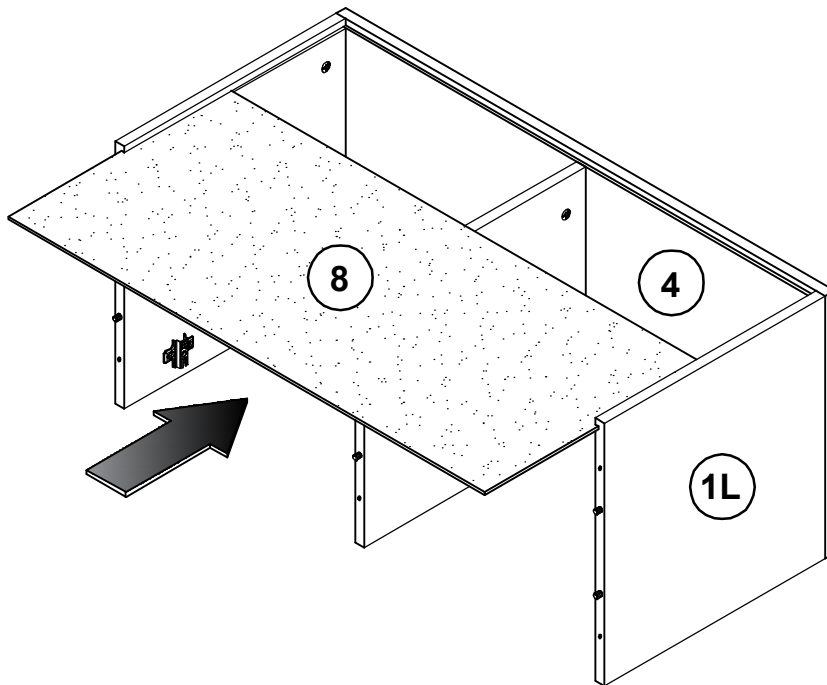
 <p>L3 x4</p>	 <p>E5 3,5x16 x8</p>	 <p>D1 15/16 x2</p>
 <p>A1 8*30mm x4</p>		



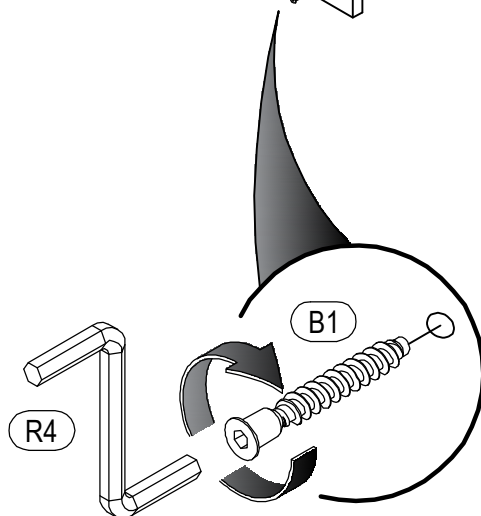
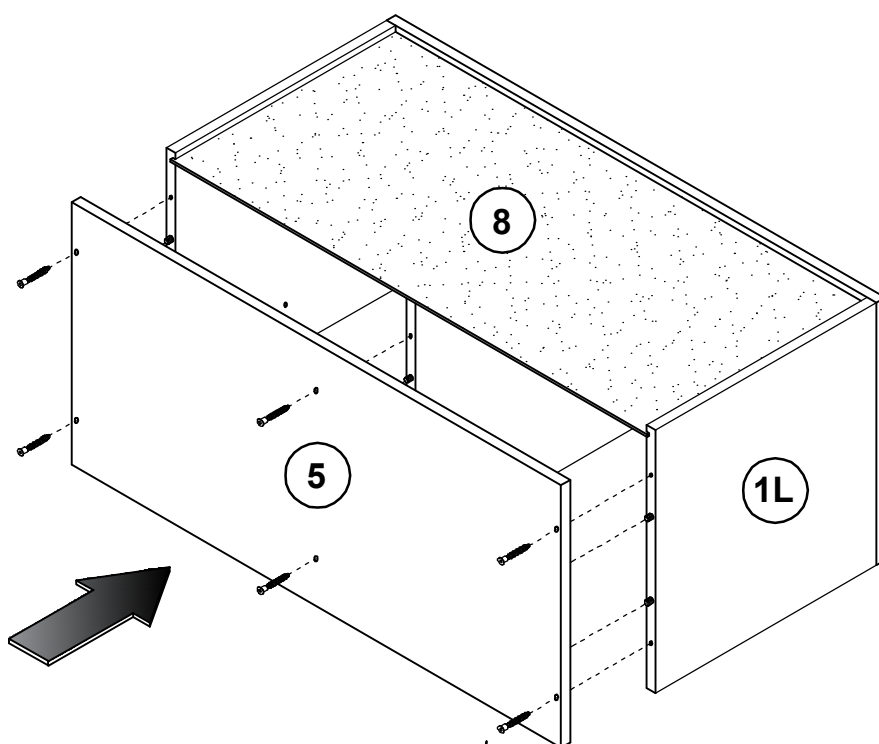
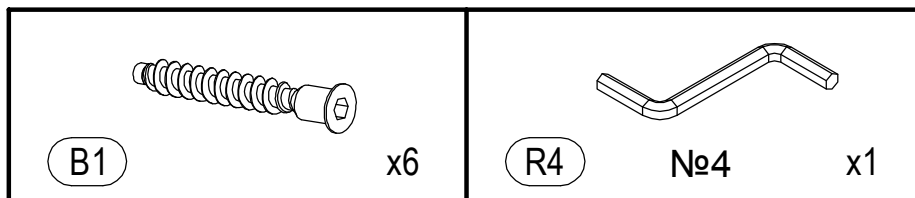
**STEP**  
**2**



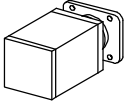

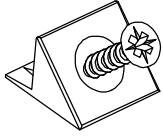

**STEP**  
**3**

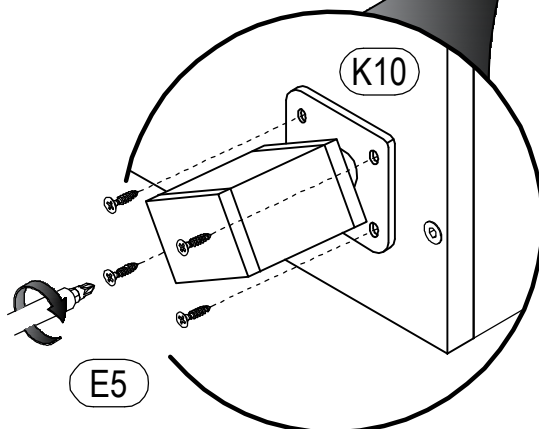
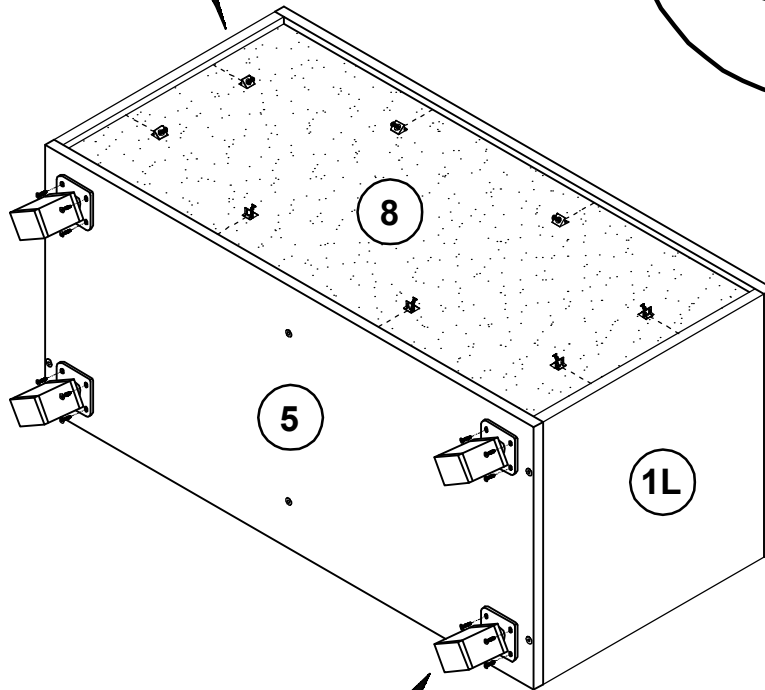
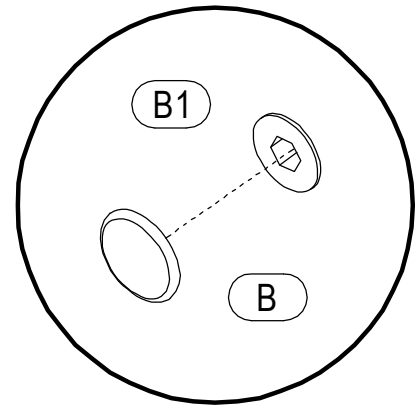
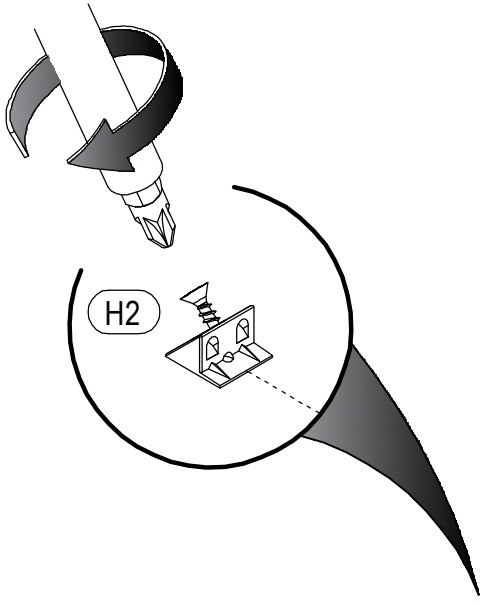


**STEP**  
**4**

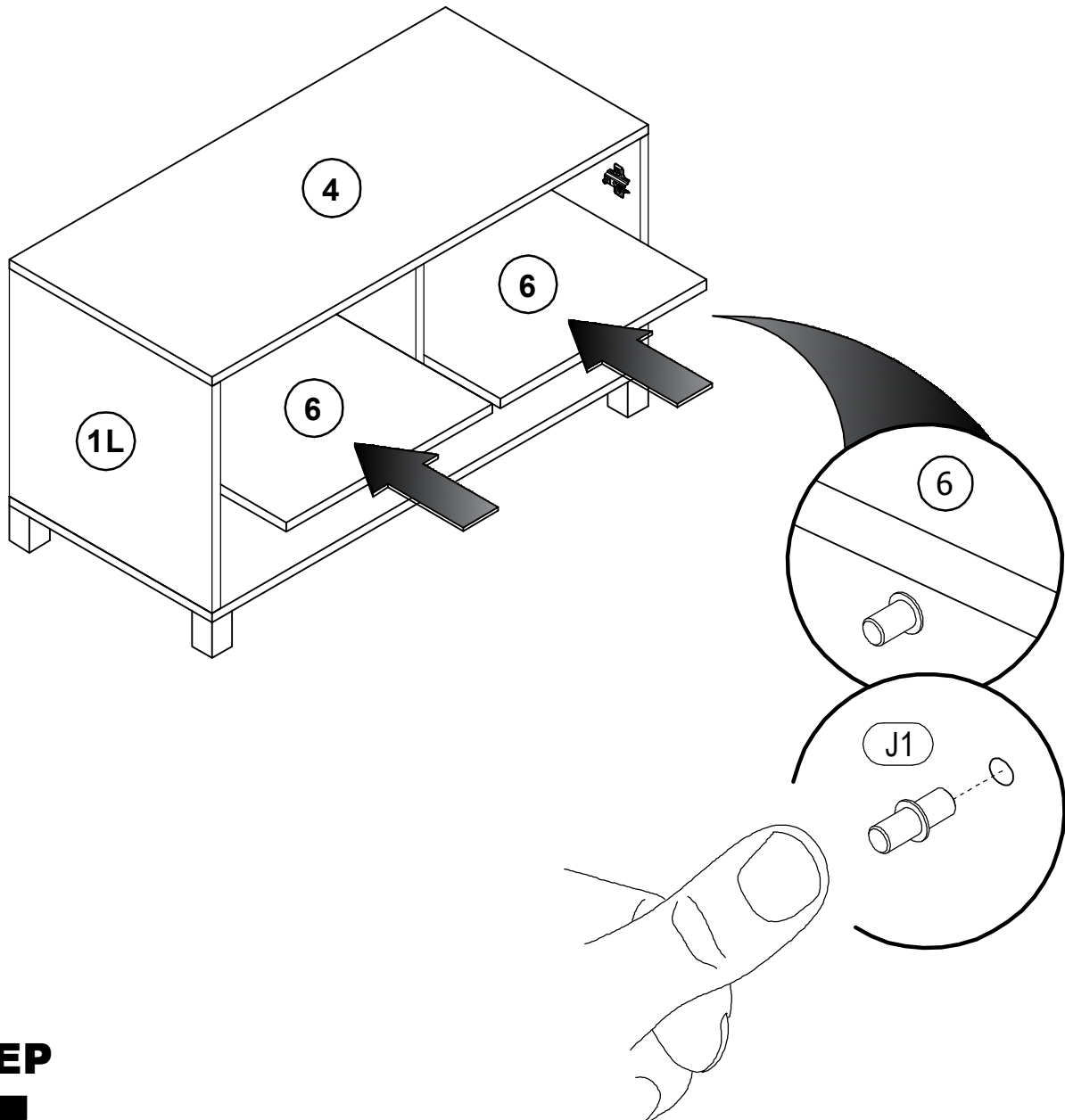
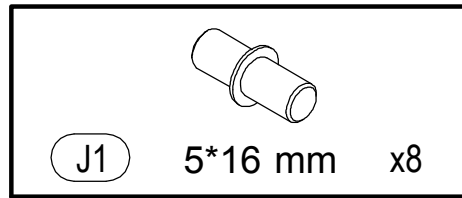


**STEP**  
**5**

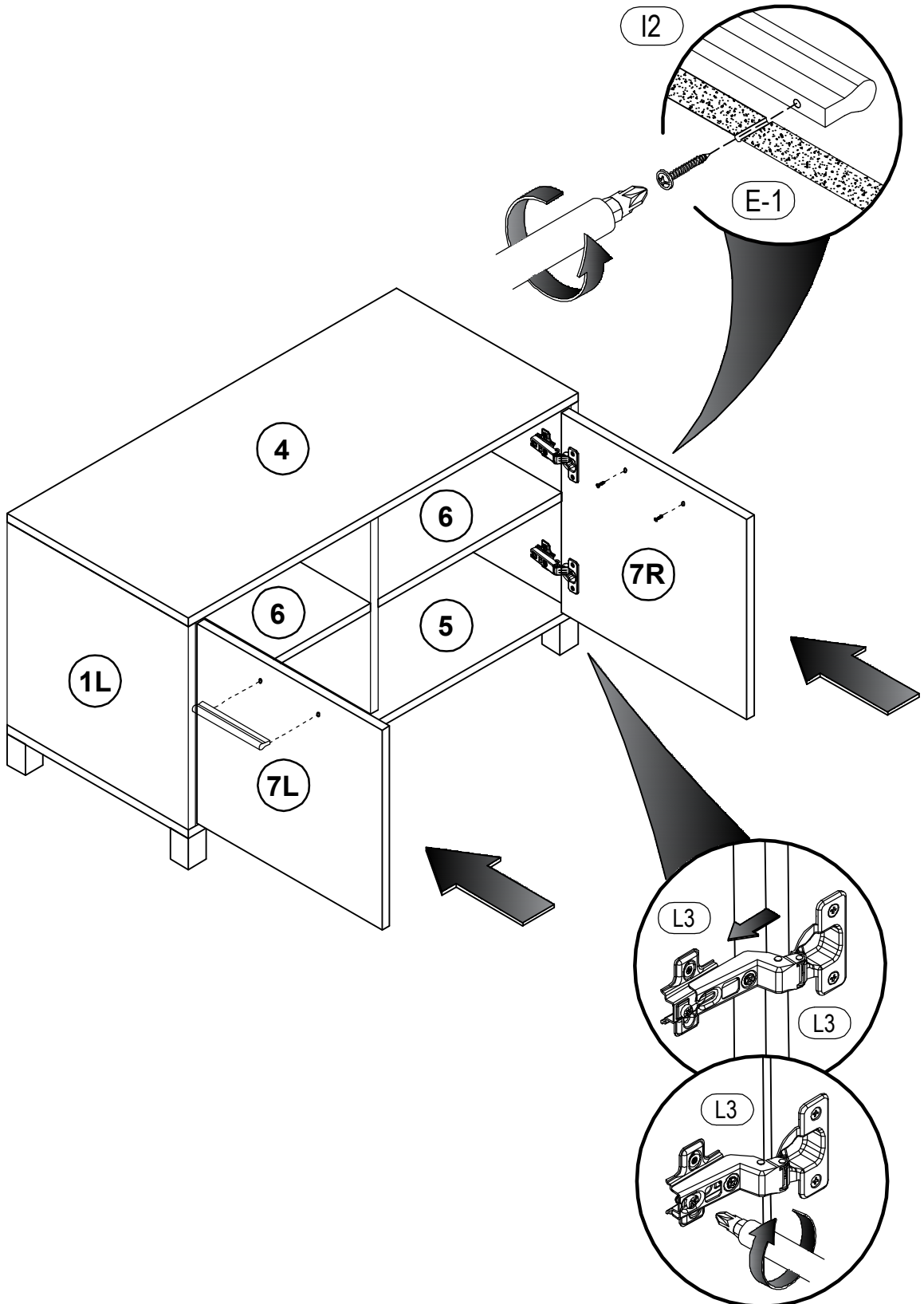
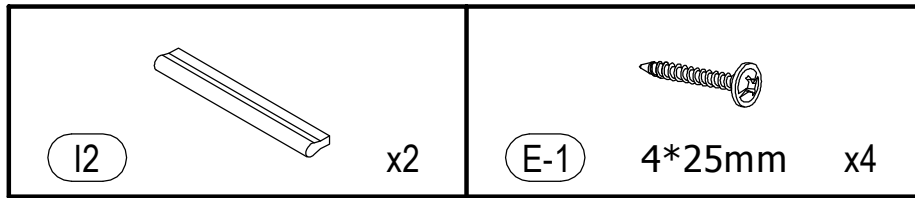
 <p>(K10) x4</p>	 <p>(E5) 3,5x16 x16</p>	 <p>(H2) x8</p>
		 <p>(B) Ø12mm x6</p>



**STEP**  
**6**



**STEP**  
**7**



**STEP**  
**8**



